

### Brass Ball Valves

PN25/400PSI

Chrome-Plated Ball  
BSEN12288, Threaded Ends Comply to BSPT or ANSI 2.1



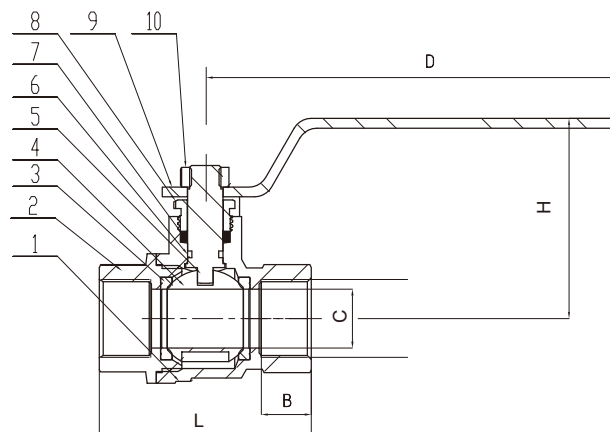
**B103**  
1/2" - 2"

Hydraulic Pressure Test	
Body	3.75Mpa/37.5Bar
Seat	2.75Mpa/27.5Bar

Pressure Ratings	
	0.9 Mpa at 180°C
	2.5 Mpa at -20°C-100°C

#### Materials List

No	Part	Specification	BS EN	ASTM
1	Body	Brass	CW612N	C37700
2	End Cap	Brass	CW612N	C37700
3	Seat	PTFE	PTFE	PTFE
4	Ball	Nickel-Plated Brass	CW603N	C36000
5	Stem	Brass	CW603N	C36000
6	Sealing Ring	NBR	NBR	NBR
7	Stem Packing	PTFE	PTFE	PTFE
8	Packing Gland	Brass	CW603N	C36000
9	Handle	Steel	--	A107
10	Handle Nut	Steel	--	A107



#### Dimensions-Weights

mm		15	20	25	32	40	50
In		1/2	3/4	1	1 1/4	1 1/2	2
L		54	61	72	80	88	102
B		12.7	13.6	17	16	18.5	20
C		15	19	22	30	32	42
H		51	54	61	67	82	89
D		105	105	130	130	150	150
Weight	Lbs	0.60	0.79	1.17	1.57	2.16	3.29
	Kg	0.27	0.36	0.53	0.71	0.98	1.49

\* **Freezing Weather Precaution:** Subsequent to testing a piping system, valves should be left in an open position to allow complete drainage.

Each TALOAR brass valve has been thoroughly cleaned and degreased and packed separately in the sealed polythene bag.