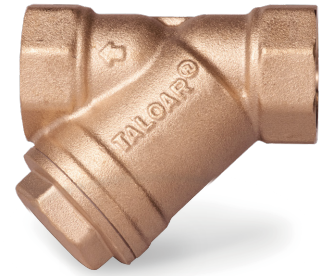


Brass Y Strainer PN20/300PSI/Class150

BSEN12288, Threaded Ends Comply to BSPT or ANSI 2.1



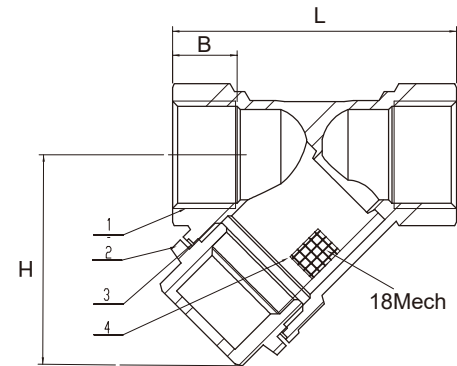
Y103
1/2" - 2"

Hydraulic Pressure Test	
Body	3.0Mpa/30Bar

Pressure Ratings	
0.9 Mpa at 180°C	
2.0 Mpa at -20°C-100°C	

Materials List

No	Part	Specification	BS EN	ASTM
1	Body	Brass	CW612N	C37700
2	Bonnet	Brass	CW612N	C37700
3	Sealing Ring	PTFE	PTFE	PTFE
4	Strainer Screen	Stainless Steel	BSEN 10088-1	304SS 18MESH



Dimensions-Weights

mm	15	20	25	32	40	50	
In	1/2	3/4	1	1 1/4	1 1/2	2	
L	55	68	80	90	101	125	
H	41	47	59.5	68	76	93.5	
B	12.5	13.5	15	17	18	20	
Weight	Lbs	0.35	0.55	0.86	1.32	1.74	2.87
	Kg	0.16	0.25	0.39	0.60	0.79	1.30

Each TALOAR brass valve has been thoroughly cleaned and degreased and packed separately in the sealed polythene bag.