

Bronze Gate Valves

PN20/300PSI/Class150

Screw-In Bonnet, Solid Wedge, Non-Rising Stem
BSEN12288, Threaded Ends Comply to BS21 or ANSI 2.1

Hydraulic Pressure Test	
Body	3.0Mpa/30Bar
Seat	2.2Mpa/22Bar

Pressure Ratings	
0.9 Mpa at 180°C	
2.0 Mpa at -20°C-100°C	

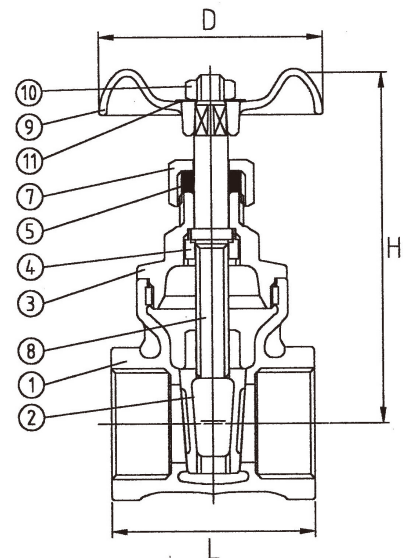


Materials List

No	Part	Specification	BS EN	ASTM
1	Body	Cast Bronze	1982 CC490K	B584 C84400
2	Disc	Cast Bronze	1982 CC490K	B584 C84400
3	Bonnet	Cast Bronze	1982 CC490K	B584 C84400
4	Retaining Nut	Brass	12164 CW603N	B16 C36000
5	Stem Packing	PTFE	PTFE	PTFE
6	Gland	Brass	12164 CW603N	B16 C36000
7	Nut	Brass	12164 CW603N	B16 C36000
8	Stem	Brass	12164 CW603N	B16 C36000
9	Handwheel	Cast Iron	EN-JL1030	A126 CLASS B
10	Handwheel Nut	Steel	--	A563 Zn PLATED
11	Nameplate	Aluminum	--	B209 1100

A107

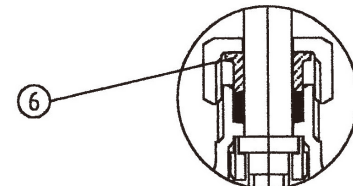
1/2" - 4"



Dimensions-Weights

mm	15	20	25	32	40	50	65	80	100	
In	1/2	3/4	1	1 1/4	1 1/2	2	2 1/2	3	4	
L	47.5	51.5	58.6	63	66.5	73.5	90	100	122	
H	78	94	109	120	142	163	207	235	281	
D	53	64	70	80	90	102	104	118	150	
Weight	Lbs	0.66	0.93	1.21	1.79	2.16	3.42	6.62	8.95	14.27
	Kg	0.30	0.42	0.55	0.81	0.98	1.55	3.00	4.06	6.47

* **Freezing Weather Precaution:** Subsequent to testing a piping system, valves should be left in an open position to allow complete drainage.



Bonnet construction for sizes 1" - 4"

Each TALOAR bronze valve has been thoroughly cleaned and degreased and packed separately in the sealed polythene bag.