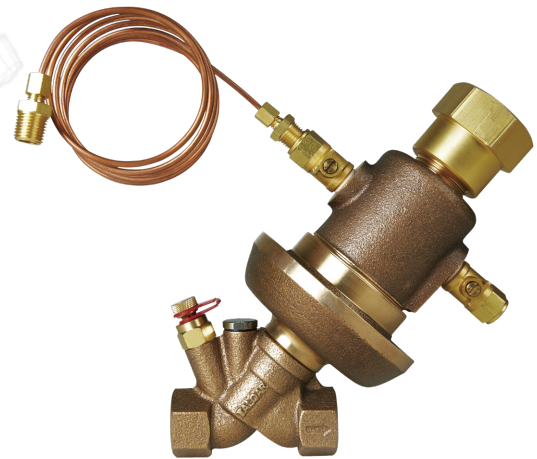


Differential Pressure Control Valves

PN25/ 350PSI

PC320 bronze differential pressure control valve, designed with a low-resistance Y-shaped structure, provides more accurate and stable control in the variable flow system, automatically and keeps the differential pressure between both ends of the control valve at a relatively stable value, with no external power source needed. The high-precision disc and reliable sealing performance ensures precision and durability in flow measurement. PC320 is mainly used in the HVAC system.



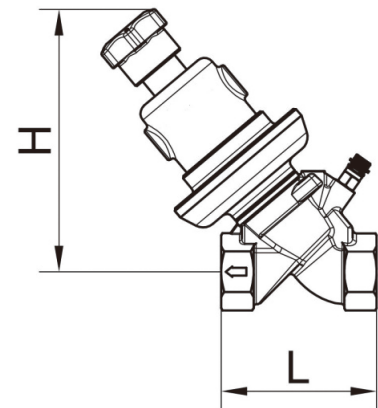
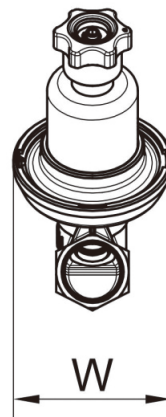
PC320
3/4" ~ 2"

Product Features

- Relying on the pressure change of the high/low pressure chambers to change the valve opening angle, automatically keeping differential pressure constant.
- Large controllable pressure differential range.
- Valve shut-off function.
- differential Pressure value can set at site.
- Pressure measuring connections on both side.
- Vent hole in high pressure chamber.
- Lower noise.

Technical Parameters

Pressure Grade: PN25/350PSI
Working Temperature: -10°C~120°C
Size: 3/4" - 2" , DN20 mm-DN50 mm
End Type: BSPT or NPT threads
Medium: Water
Max. Kpa: ≥250



Material Specifications

Body: Bronze
Bonnet: Bronze
Disc: Copper alloy
Seat: Bronze
Seal Ring: EPDM
Diaphragm: EPDM
Spring: SUS304
Stem: SUS304
Hand Wheel: Brass
Guide Piping: Brass
Guide Piping Size: 2 m (1/8")

Dimensions/Weights

mm	20	25	32	40	50
In	3/4	1	1 1/4	1 1/2	2
L	84	96	110	120	150
H	175	185	195	202	208
W	102	102	122	122	122
Lbs	7.3	7.7	10.6	11.7	13.7
kg	3.3	3.5	4.8	5.3	6.2

* In valve installation, it is strongly suggested that sufficient space should be left for easy maintenance in the future. A strainer shall be mounted in front of the valve to prevent foreign matters from blocking the valve.