

Ductile Iron Butterfly Valves PN16/235PSI/Class125

Lug Style, Pin-Free Valve Shaft, Seal-Line Seat
Design to BS5155 and MSS SP-67
Flange Dimension to EN1092-2, ANSI B16.1 Class 125

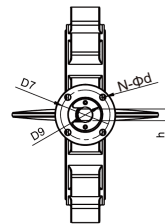


Sealing Performance	
EPDM	-20°C- 120°C
NBR	-10°C- 80°C
VITON	-20°C- 150°C

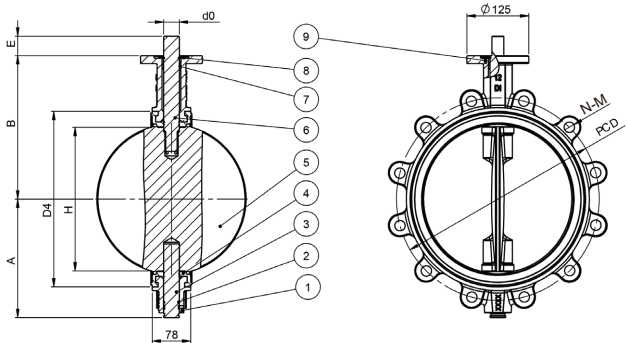
Hydraulic Pressure Test	
Body	2.4Mpa/24Bar
Seat	1.76Mpa/17.6Bar

Materials List

No	Part	Specification	BS EN	ASTM
1	Body	Ductile Iron	BSEN 1563	A536 65-45-12
2	Bottom Stem	Stainless Steel	BSEN 10088-1	A582 420
3	O-Ring	NBR	NBR	NBR
4	Seat	EPDM	EPDM	EPDM
		NBR	NBR	NBR
		VITON	VITON	VITON
5	Disc	Ductile Iron	BSEN 1563	A536 65-45-12
		Stainless Steel	BS970 304S15	CF8
		Aluminum Bronze	1400AB2	B148 Ay 954
6	Upper Stem	Stainless Steel	BSEN 10088-1	A582 420
7	Nameplate	Aluminum	PTFE&Bronze	PTFE&Bronze
8	Screw	Steel	BSEN 10087	A307
9	Retaining Cap	Steel	BSEN 10087	A307



HB960-L/G/O
2" - 12"



* Suffix - L for operation by lever, - G for operation by worm gear, - O for polished rod
* An electric or pneumatic actuator may be mounted to match an ISO5211-based mount.
Please refer to the TALOAR Butterfly Valve Torque Table in Page 46.

Dimensions-Weights

mm	50	65	80	100	125	150	200	250	300
In	2	2½	3	4	5	6	8	10	12
A	78	90	99	120	134	142	178	203	240
B	120	137	145	160	175	189	220	250	290
C	43	46	46	52	56	56	62	68	78
E	30	30	30	30	30	30	40	40	40
H	23.9	39.5	60.3	87.3	106.5	142.3	193.2	242.2	290.2
D4	83	95.5	138.0	139.0	167.0	194.0	247.6	300.0	352.0
d0	12.60	12.60	12.60	15.77	18.92	18.92	22.10	28.45	31.60
PCD	125	145	160	180	210	240	295	355	410
N-M	4-M16	4-M16	8-M16	8-M16	8-M16	8-M20	12-M20	12-M24	12-M24
h	9	9	9	11	14	14	17	22	24
D6	90	90	90	90	90	90	125	125	125
D7	70	70	70	70	70	70	102	102	102
D9	55	55	55	55	55	55	70	70	70
n-φd	4-10	4-10	4-10	4-10	4-10	4-10	4-12	4-12	4-12
ISO5211	F07	F07	F07	F07	F07	F07	F10	F10	F10
Weight	Lbs	10	12	14	17	22	32	52	89
	Kg	5	5	6	8	10	15	24	40