

Ductile Iron Butterfly Valves PN16/235PSI/Class125

Dual-Flanged Style, Pin-Free Valve Shaft, Vulcanized Rubber Seat
Design to BS5155 and MSS SP-67
Flange Dimension EN1092-2, ANSI B16.1 Class 125



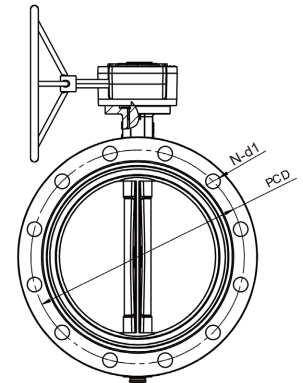
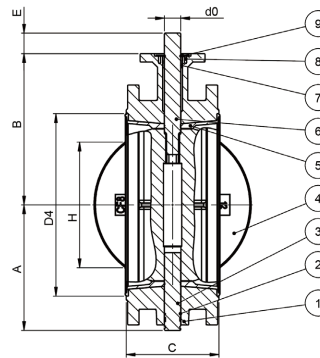
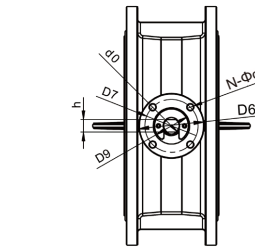
HB970-L/G/O
2" - 12"

Sealing Performance	
EPDM	-20°C- 120°C
NBR	-10°C- 80°C

Hydraulic Pressure Test	
Body	2.4Mpa/24Bar
Seat	1.76Mpa/17.6Bar

Materials List

No	Part	Specification	BS EN	ASTM
1	Body	Ductile Iron	BSEN 1563	A536 65-45-12
2	O-Ring	Rubber	NBR	NBR
3	Bottom Stem	Stainless Steel	BSEN 10088-1	A582 420
4	Disc	Ductile Iron	BSEN 1563	A536 65-45-12
		Stainless Steel	BS970 304S15	CF8
		Aluminum Bronze	1400AB2	B148 Ay 954
5	Seat	EPDM	EPDM	EPDM
		NBR	NBR	NBR
6	Upper Stem	Stainless Steel	BSEN 10088-1	A582 420
7	Shaft Sleeve	PTFE	PTFE	PTFE
8	Retaining Cap	Steel	BSEN 10087	A307



* Suffix - L for operation by lever, - G for operation by worm gear, - O for polished rod
* An electric or pneumatic actuator may be mounted to match an ISO5211-based mount.
Please refer to the TALOAR Butterfly Valve Torque Table in Page 46.

Dimensions-Weights

mm	50	65	80	100	125	150	200	250	300
In	2	2½	3	4	5	6	8	10	12
A	78	90	99	120	134	142	178	203	240
B	120	137	145	160	175	189	220	250	290
C	108	112	114	127	140	140	152	165	178
E	30	30	30	30	30	30	40	40	40
H	NA	NA	NA	NA	NA	70	130	187	242
D4	89	106	120	144	170	197	252	305	350
d0	12.60	12.60	12.60	15.77	18.92	18.92	22.10	28.45	31.60
PCD	125	145	160	180	210	240	295	355	410
N-d1	4-19	4-19	8-19	8-19	8-19	8-23	12-23	12-28	12-28
h	9	9	9	11	14	14	17	22	24
D6	90	90	90	90	90	90	125	125	125
D7	70	70	70	70	70	70	102	102	102
D9	55	55	55	55	55	55	70	70	70
n-Φd	4-10	4-10	4-10	4-10	4-10	4-10	4-12	4-12	4-12
ISO5211	F07	F07	F07	F07	F07	F07	F10	F10	F10
Weight	Lbs	17	20	22	27	32	39	70	133
	Kg	8	9	10	12	15	18	32	60

* Applicable to cold/hot water systems of air-conditioners, municipal water supply systems, water treatment facilities and industrial plants.