

Ductile Iron Gate Valves PN16/235PSI/Class125

Non-Rising Stem, Resilient Wedge, Epoxy Coating
Design to BS5150 and MSS SP-70
Flange Dimension EN1092-2, ANSI B16.1 Class 125

Hydraulic Pressure Test	
Body	2.4Mpa/24Bar
Seat	1.76Mpa/17.6Bar

Sealing Performance	
EPDM	-20°C- 120°C
NBR	-10°C- 80°C

Materials List

No	Part	Specification	BS EN	ASTM
1	Body	Ductile Iron	BSEN 1563	A536 65-45-12
2	Disc	Ductile Iron Coated With EPDM	BSEN 1563	A536 65-45-12
3	Stem Nut	Brass	12164 CW603N	B16
4	Stem	Stainless Steel	BS970 420S37	A276 42000
5	Bonnet	Ductile Iron	BSEN 1563	A536 65-45-12
6	Gland	Ductile Iron	BSEN 1563	A536 65-45-12

* Fire protection water supply, drainage and water supply and non-corrosive gas

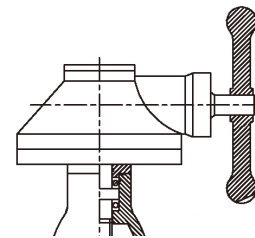
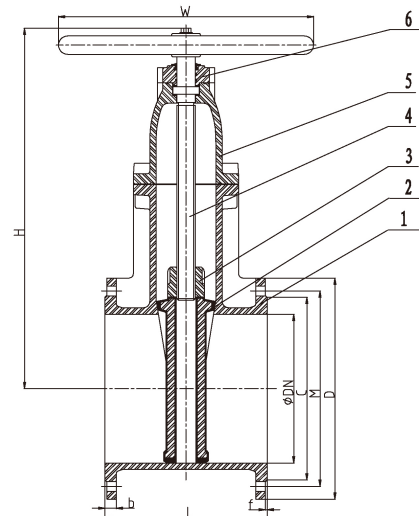
Dimensions-Weights

mm	350	400	450	500	600	700	800
In	14	16	18	20	24	28	32
L	381	406	432	457	508	610	660
H	900	1030	1080	1188	1380	1545	1750
C	438	490	532	585	685	800	900
D	520	580	640	715	840	910	1025
M	470	525	585	650	770	840	950
b	32	32	34	34	36	38.5	43
f	4	4	4	4	5	5	5
W	600	600	600	750	750	960	1050
n-d	16-28	16-31	20-31	20-34	20-37	24-37	24-40
Weight	Lbs	421	558	717	948	1416	3308
	Kg	191	253	325	430	642	1500



FG970-EN

14" - 32"



Operated by gearbox
(for products with size
above 28")