

### Ductile Iron Silent Check Valves PN16/235PSI/Class 125

Globe Style Center-Oriented, Spring Actuated  
Flange Dimension EN1092-2, ANSI B16.1 Class 125



**CF970-V**  
2" - 16"

Hydraulic Pressure Test	
Body	2.4Mpa/24Bar
Seat	1.76Mpa/17.6Bar

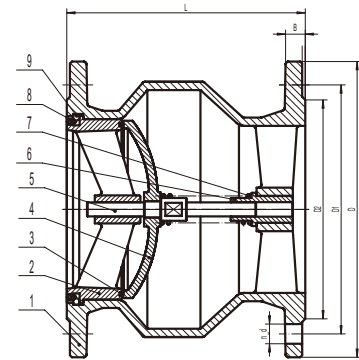
Sealing Performance	
EPDM	-20°C- 120°C
NBR	-10°C- 80°C

#### Materials List

No	Part	Specification	BS EN	ASTM
1	Body	Ductile Iron	BSEN1563	A536 65-45-12
2	Seat Body	Ductile Iron	BSEN1563	A536 65-45-12
3	Seat	Rubber	EPDM	EPDM
4	Disc	Ductile Iron/Stainless Steel	BSEN1563	A536 65-45-12
5	Stem	Stainless Steel	BS970 304S15	S30400
6	Bushing	Brass	BS2874	B16 C36000
7	Spring	Stainless Steel	BS970 304S15	S30400
8	Screw	Stainless Steel	BS970 304S15	S30400
9	Ball	Stainless Steel	BS970 304S15	S30400

\* Applicable to water supply system pipelines

\* Stainless steel shell, valve core & stem assembly (Fig. CF370V)



#### Dimensions-Weights

mm	50	65	80	100	125	150	200	250	300	350	400	
In	2	2½	3	4	5	6	8	10	12	14	16	
L	133	140	152	185	216	230	259	362	393	400	448	
D	165	185	200	220	250	285	340	405	460	520	580	
D1	125	145	160	180	210	240	295	355	140	470	525	
D2	99	118	132	156	184	211	266	319	370	429	480	
B	19	19	19	19	19	19	20	22	24.5	26.5	28	
n-d	4-19	4-19	8-19	8-19	8-19	8-23	12-23	12-28	12-28	16-28	16-31	
Weight	Lbs	17	21	22	30	41	55	87	155	210	316	--
	Kg	8	9	10	14	19	25	40	70	95	143	--

#### Notes:

\* Silent check valves should be installed at the outlets of pumps.

\* Valves may be installed in any positions of horizontal or vertical pipelines, Not applicable to air compression pipelines.