

### Ductile Iron Y Strainer

PN16/235PSI/Class125

Stainless Steel Screen, Drain Outlet

Flange Dimension EN1092-2, ANSI B16.1 Class 125



**YR-970**

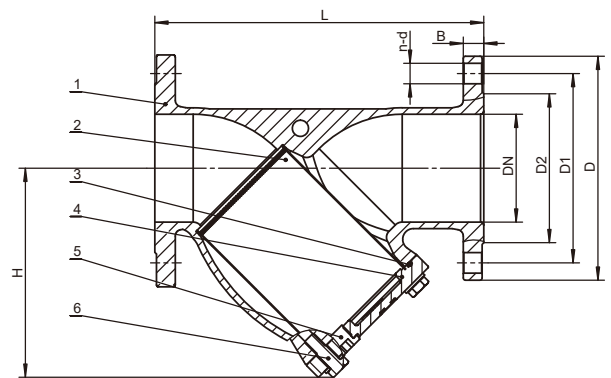
2" – 16"

| Hydraulic Pressure Test |              |
|-------------------------|--------------|
| Body                    | 2.4Mpa/24Bar |

| Pressure Ratings       |  |
|------------------------|--|
| 1.0 Mpa at 180°C       |  |
| 1.6 Mpa at -10°C-120°C |  |

#### Materials List

| No | Part         | Specification   | BS EN        | ASTM          |
|----|--------------|-----------------|--------------|---------------|
| 1  | Body         | Ductile Iron    | EN JS1030    | A536 65-45-12 |
| 2  | Screen       | Stainless Steel | BSEN 10088-1 | AISI 304      |
| 3  | Sealing Ring | EPDM            | --           | --            |
| 4  | Bonnet       | Ductile Iron    | EN JS1030    | A536 65-45-12 |
| 5  | Drain Plug   | Stainless Steel | BSEN 10088-1 | AISI 304      |
| 6  | Bolt         | Stainless Steel | BSEN 10088-1 | AISI 304      |



#### Dimensions-Weights

| mm            | 50         | 65   | 80   | 100  | 125  | 150  | 200   | 250   | 300   | 350   | 400   |
|---------------|------------|------|------|------|------|------|-------|-------|-------|-------|-------|
| <b>In</b>     | 2          | 2½   | 3    | 4    | 5    | 6    | 8     | 10    | 12    | 14    | 16    |
| <b>L</b>      | 216        | 241  | 283  | 305  | 381  | 403  | 495   | 622   | 698   | 787   | 914   |
| <b>H</b>      | 128        | 145  | 160  | 210  | 228  | 260  | 324   | 416   | 460   | 540   | 598   |
| <b>D</b>      | 165        | 185  | 200  | 220  | 250  | 285  | 340   | 405   | 455   | 520   | 580   |
| <b>D1</b>     | 125        | 145  | 160  | 180  | 210  | 240  | 295   | 355   | 410   | 470   | 525   |
| <b>D2</b>     | 99         | 118  | 132  | 156  | 184  | 211  | 266   | 319   | 370   | 429   | 480   |
| <b>B</b>      | 19         | 19   | 19   | 19   | 19   | 19   | 20    | 22    | 24.5  | 26.5  | 28    |
| <b>n-d</b>    | 4-19       | 4-19 | 8-19 | 8-19 | 8-19 | 8-23 | 12-23 | 12-28 | 12-28 | 16-28 | 16-31 |
| <b>Weight</b> | <b>Lbs</b> | 18   | 22   | 27   | 38   | 50   | 57    | 107   | 173   | 263   | 379   |
|               | <b>Kg</b>  | 8    | 10   | 12   | 17   | 23   | 26    | 49    | 79    | 119   | 172   |