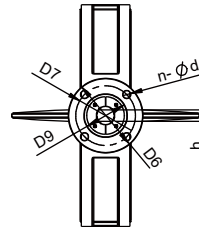


Electric Butterfly Valves PN16/235PSI/Class125

220V/380V, 360° Indicator, Auto Manual / Electric Switching
Shell With Cemented Carbide Epoxy Coating, 90° Rotation, IP67
Wafer Style, Flange Dimension EN1092-2, ANSI B16.1 Class 125

| Sealing Performance | |
|---------------------|--------------|
| EPDM | -20°C- 120°C |
| NBR | -10°C- 80°C |
| VITON | -20°C- 150°C |

| Hydraulic Pressure Test | |
|-------------------------|-----------------|
| Body | 2.4Mpa/24Bar |
| Seat | 1.76Mpa/17.6Bar |

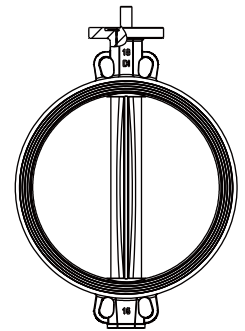
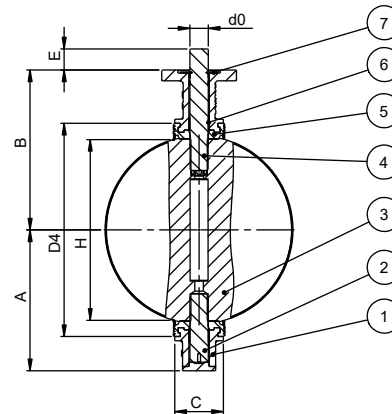


HB950-EH/ RH

14" - 24"

Materials List

| No | Part | Specification | BS EN | ASTM |
|----|--------------------|-----------------|--------------|---------------|
| 1 | Body | Ductile Iron | BSEN 1563 | A536 65-45-12 |
| 2 | Bottom Stem | Stainless Steel | BSEN 10088-1 | A582 420 |
| 3 | Disc | Ductile Iron | BSEN 1563 | A536 65-45-12 |
| | | Stainless Steel | BS970 304S15 | CF8 |
| | | Aluminum Bronze | 1400AB2 | B148 Ay 954 |
| 4 | Upper Stem | Stainless Steel | BSEN 10088-1 | A582 420 |
| 5 | Seat | EPDM | EPDM | EPDM |
| | | NBR | NBR | NBR |
| | | VITON | VITON | VITON |
| 6 | Bushing | VITON | PTFE&Bronze | PTFE&Bronze |
| 7 | Retaining Cap | Steel | BSEN 10087 | A307 |
| 8 | Electric Actuators | Other | | |



* Figure number - ET for ON/OFF control, - RM for regulating control.
Please specify when ordering.

Dimensions-Weights

| mm | 350 | 400 | 450 | 500 | 600 | 700 | 800 | |
|---------|-------|-------|-------|-------|-------|-------|-------|----|
| In | 14 | 16 | 18 | 20 | 24 | 28 | 32 | |
| A | 272 | 296 | 330 | 360 | 447 | 517 | 567 | |
| B | 320 | 340 | 375 | 430 | 564 | 616 | 666 | |
| C | 78 | 102 | 114 | 127 | 154 | 165 | 190 | |
| E | 45 | 50 | 50 | 60 | 60 | 80 | 80 | |
| H | 322.6 | 374.4 | 424.2 | 473.2 | 572.0 | 673.0 | 774.0 | |
| D4 | 404 | 450 | 500 | 555 | 660 | 775 | 875 | |
| d0 | 31.60 | 37.95 | 42.86 | 45.72 | 53.98 | 63.35 | 63.35 | |
| h | 24 | 27 | 27 | 32 | 36 | 键18*2 | 键18*2 | |
| D6 | 125 | 175 | 175 | 175 | 210 | 300 | 300 | |
| D7 | 102 | 140 | 140 | 140 | 165 | 254 | 254 | |
| D9 | 70 | 100 | 100 | 100 | 130 | 130 | 130 | |
| n-φd | 4-12 | 4-18 | 4-18 | 4-18 | 4-23 | 8-18 | 8-18 | |
| ISO5211 | F10 | F14 | F14 | F14 | F16 | F25 | F25 | |
| Weight | Lbs | 128 | 269 | 307 | 421 | 573 | -- | -- |
| | Kg | 58 | 122 | 139 | 191 | 260 | -- | -- |

Note: Steam services are not recommended.