

Electric Butterfly Valves PN16/235PSI/Class125

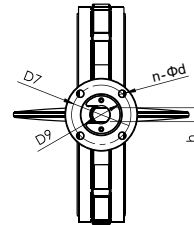
220V/380V, 360° Indicator, Auto Manual / Electric Switching
Shell With Cemented Carbide Epoxy Coating, 90° Rotation, IP67
Wafer Style, Flange Dimension EN1092-2, ANSI B16.1 Class 125

Sealing Performance	
EPDM	-20°C- 120°C
NBR	-10°C- 80°C
VITON	-20°C- 150°C

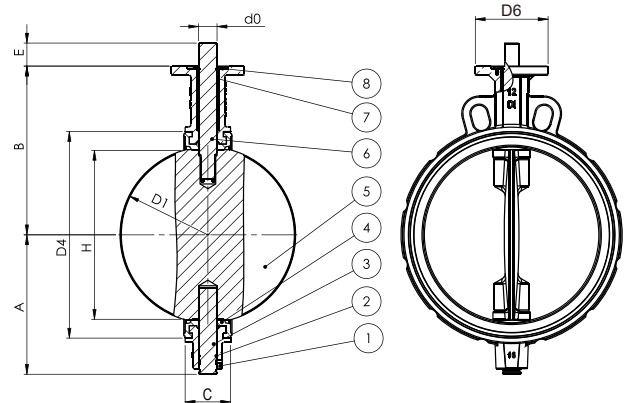
Hydraulic Pressure Test	
Body	2.4Mpa/24Bar
Seat	1.76Mpa/17.6Bar

Materials List

No	Part	Specification	BS EN	ASTM
1	Body	Ductile Iron	BSEN 1563	A536 65-45-12
2	Bottom Stem	Stainless Steel	BSEN 10088-1	A582 420
3	O-Ring	NBR	NBR	NBR
4	Seat	EPDM	EPDM	EPDM
		NBR	NBR	NBR
		VITON	VITON	VITON
5	Disc	Ductile Iron	BSEN 1563	A536 65-45-12
		Stainless Steel	BS970 304S15	CF8
		Aluminum Bronze	1400AB2	B148 Ay 954
6	Upper Stem	Stainless Steel	BSEN 10088-1	A582 420
7	Nameplate	Aluminum	--	--
8	Screw	Steel	BSEN 10087	A307
9	Electric Actuators	Other		



HB950-EH/ RH
2" - 12"



* Figure number - ET for ON/OFF control, - RM for regulating control.
Please specify when ordering.

Dimensions-Weights

mm	50	65	80	100	125	150	200	250	300	
In	2	2½	3	4	5	6	8	10	12	
A	78	90	99	120	134	142	178	203	240	
B	120	137	145	160	175	189	220	250	290	
C	43	46	46	52	54	56	62	68	78	
E	30	30	30	30	30	30	40	40	40	
H	23.9	39.5	60.3	87.3	106.5	142.3	193.2	242.2	290.2	
D4	83	95.5	138.0	139.0	167.0	194.0	247.6	300.0	352.0	
d0	12.60	12.60	12.60	15.77	18.92	18.92	22.10	28.45	31.60	
h	9	9	9	11	14	14	17	22	24	
D6	90	90	90	90	90	90	125	125	125	
D7	70	70	70	70	70	70	102	102	102	
D9	55	55	55	55	55	55	70	70	70	
n-Φd	4-10	4-10	4-10	4-10	4-10	4-10	4-12	4-12	4-12	
ISO5211	F07	F07	F07	F07	F07	F07	F10	F10	F10	
Weight	Lbs	25	25	25	29	32	61	80	99	125
	Kg	11	11	11	13	15	28	36	45	57

Note: Steam services are not recommended.