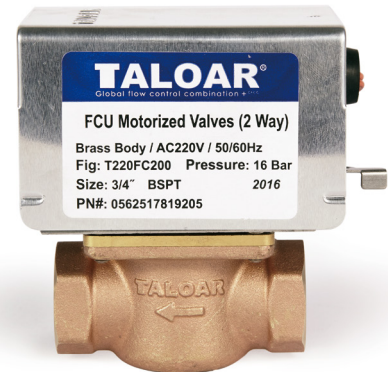


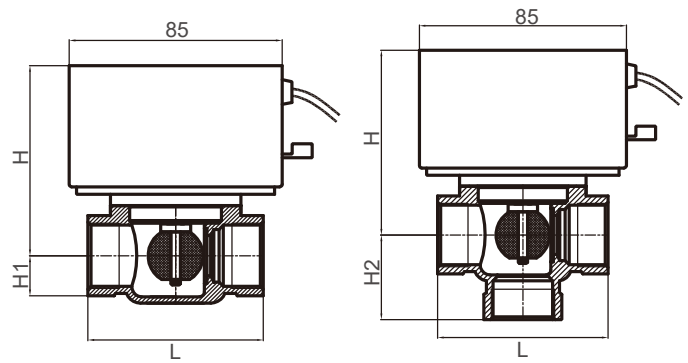
FC200 Series Fan-Coil Motorized Valves

FC200 series motorized two-way valves are mainly used to control the opening and closing of cold water and hot water in the terminal of the fan coil units of the air conditioning systems in order to provide a comfortable room temperature. When needed, the motorized valve will automatically turn on after receiving the control signal transmitted from the room temperature controller, then cool or warm the room as required. When temperature reaches the specified value, the room temperature controller will automatically cancel the transmitting signal, and the spring within the motorized valve will force it to turn off and bring it back to the original pre-set value.



Product Features

- Forged-brass shell, stainless-steel seat, and aluminum shell.
- Driven by a fully-enclosed one-way hysteresis synchronous motor, spring return.
- Leak-free NBR ball sealing.
- Valve structures include the normally-closed two-way type and the diverging three-way type.
- Low motor power consumption and low noise. Motor speed under rated frequency is not subject to voltage.
- Safe and reliable: combination of the valve body that has an assembling platform and the actuator.
- Thread standards: BSPT and NPT.
- Small size, light weight, easy installation and maintenance.



Technical Parameters

Power Supply Voltage: 220 VAC, 24 VAC ±10% 50 Hz

Power: < 6.5 W

Working Pressure: 1.6 Mpa

Medium: Water

Medium Temperature: 5°C ~ 90°C (40°F ~ 194°F)

Ambient Temperature: 0°C ~ 60°C (32°F ~ 140°F)

Action Time: Opening Time 10s, Closing Time 5s

Ingress Protection: IP40

Materials

Body: Brass

Shaft: Stainless Steel

Sealing: Nitrile Butadiene Rubber (NBR)

Shell: Aluminum

Seat: Stainless Steel

Spring: Stainless Steel

Flow Parameters

Model	Dimension (In)	Structure	Kv value	Cv value	Differential pressure (MPa)
T215FC200	1/2"	Two-Way	2.2	2.5	0.20
T220FC200	3/4"	Two-Way	3.0	3.5	0.18
T225FC200	1"	Two-Way	6.9	8.0	0.15
T315FC200	1/2"	Three-Way	2.6	3.0	0.20
T320FC200	3/4"	Three-Way	3.4	4.0	0.18
T325FC200	1"	Three-Way	6.5	7.5	0.15

Dimensions/Weight

Model/dimension (mm)	L	H	H1	H2	Lbs	kg
T215FC200	70	78	14	-	1.59	0.72
T220FC200	70	78	18	-	1.63	0.74
T225FC200	80	78	22	-	1.79	0.81
T315FC200	70	78	-	33	1.72	0.78
T320FC200	70	78	-	35	2.09	0.95
T325FC200	80	78	-	42	2.43	1.10

* Valves should be open when the system is pressurised.