

Product Features

- All stainless steel body and guide piping fittings
- Precise and repeatable water level control
- Small volume and light weight
- Reliable full hydraulic control
- Reliable tightness
- Large flow
- Built-in strainer, to prevent the guide piping system from being blocked

FM300S diaphragm float valve is a hydraulic controlled valve. It keeps the water level in the storage tank at a relatively stable level. The float control switch is installed in the water tank when the water level is high and is connected to the basic valve through the pipeline. When the water level rises and exceeds the maximum limited level, the float pilot valve will fully close and the basic valve automatically closed. When the water level drops to the lowest limited level, the float pilot valve will be fully open, the basic valve will automatically open for water supplement until the level in the water storage tank is controlled within the stable ideal range.

If the optional check feature is selected, when the back pressure is generated, the return fluid will enter the air chamber to close the valve to prevent the fluid from back flow.



FM300S

Material Specifications

Body/Bonnet: Stainless Steel

Disc & Stem: Stainless Steel

Piping: Stainless Steel

Diaphragm: EPDM

Fasteners and Springs: Stainless Steel

Working Pressure Range

175PSI/235PSI/350PSI

10Bar/16Bar/25Bar

Flange Standards

ANSI / BSEN / ISO / DIN

Temperature/Medium

0°C~100°C normal temperature water

Float Switch Parameters

Controller: 1/2" Float Valve
(to be purchased separately)

Body Material: Brass/Stainless Steel

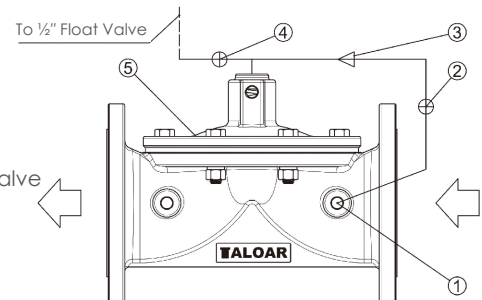
Please Provide the Following Data When Ordering

Valve figure number/size/pressure grade/
connecting end type/other optional
accessories

* Note: In valve installation, it is strongly suggested that sufficient space should be left for easy maintenance in the future. A strainer shall be mounted in front of the valve to prevent foreign matters from blocking the valve.

List of Accessories

- ① Strainer (Built-In)
- ② Ball Valve
- ③ Needle Type Regulating Valve
- ④ Ball Valve
- ⑤ Body



Piping Diagram

Typical Applications

Install the valve and float control switch as shown in the diagram. The float control switch should be installed on the relative static water surface at the outlet of the connected pipeline and positioned at the desired water level.

The outlet should be as far away from the float controller as possible (recommended: >5 m), otherwise, the level fluctuation generated by the water outlet may cause frequent valve opening and closing, to produce noise and thus shorten the service life of the valve.

