

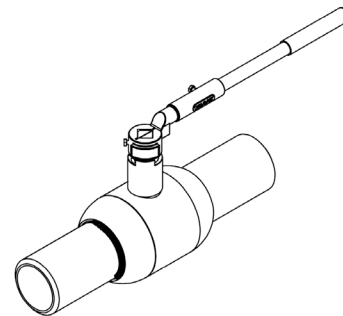
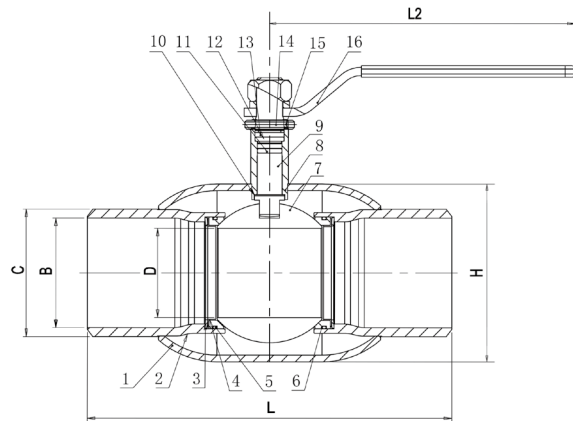
Fully Welded Ball Valves

PN25/400PSI/Class250

Reduced Bore, Leverage, Floating Ball
Design to EN488
Pressure Test to EN12266.1



WB3522-P
SXS



Materials List		
1	Body	A106-B, EN10217-2
2	Welded Pipe	A106-B, EN10217-2
3	Spring	AISI 304, EN10088-3
4	Fireproof Gasket	AISI 304
5	O-Ring	Viton
6	Seat Ring	PTFE 25%C
7	Ball	AISI 304, EN10088-3
8	Stem Guide	A106-B, EN10217-2
9	Stem	ASTM A420, EN10088-3
10	Thrust Washer	PPL
11	O-Ring	Viton
12	O-Ring	Viton
13	Packing	Graphite
14	Gland	A106-B, EN10217-2
15	Pin	ASTM 1566
16	Lever Handle	AISI 1020

* Operating temperature range: -30°C ~ +200°C .
* For other materials and special requirements, please consult the factory or the local offices.

Dimensions/Weights									
In	D	B	C	H	L	L2	Kvs	Lbs	Kg
2 ½	50	64	76	102	300	420	185	12.6	5.7
3	65	77	89	127	300	420	295	19.6	8.9
4	80	96	108	152	325	420	460	27.6	12.5
5	100	121	133	180	325	420	730	40.6	18.4
6	125	147	159	219	350	420	1120	75	34

* Please consult the engineers for full-bore dimensions.