

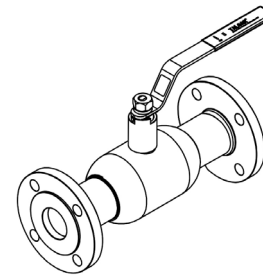
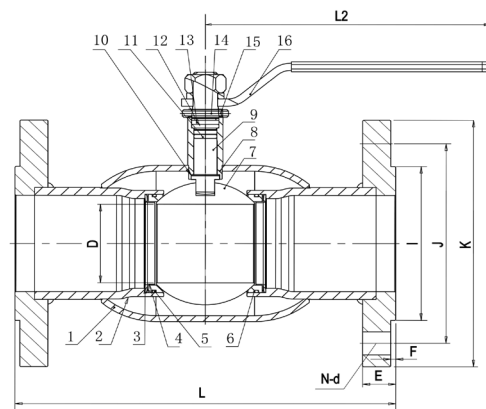
Fully Welded Ball Valves

PN40/600PSI/Class300

Reduced Bore, Lever Handle, Floating Ball
Design to EN488
Pressure Test to EN12266.1



WB3538-L
F X F



Materials List		
1	Body	A106-B, EN10217-2
2	Welded Pipe	A106-B, EN10217-2
3	Spring	AISI 304, EN10088-3
4	Fireproof Gasket	AISI 304
5	O-Ring	Viton
6	Seat Ring	PTFE 25%C
7	Ball	AISI 304, EN10088-3
8	Stem Guide	A106-B, EN10217-2
9	Stem	ASTM A420, EN10088-3
10	Thrust Washer	PPL
11	O-Ring	Viton
12	O-Ring	Viton
13	Packing	Graphite
14	Gland	A106-B, EN10217-2
15	Pin	ASTM 1566
16	Handle	AISI 1020

* Operating temperature range: -30°C ~ +200°C .
* For other materials and special requirements, please consult the factory or the local offices.

Dimensions/Weights												
In	D	I	J	K	E	F	N-d	L	L2	Kvs	Lbs	Kg
½	10	45	65	95	16	2	4-Φ14	130	220	8	5.7	2.6
¾	15	55	75	105	16	2	4-Φ14	150	220	15	7.5	3.4
1	20	65	85	115	16	2	4-Φ14	160	220	26	9.3	4.2
1¼	25	78	100	135	18	2	4-Φ18	180	220	40	12.8	5.8
1½	32	85	110	145	18	3	4-Φ18	200	265	68	15.2	6.9
2	40	100	125	160	20	3	4-Φ18	230	265	112	21.4	9.7

* Please consult the engineers for full-bore dimensions.