

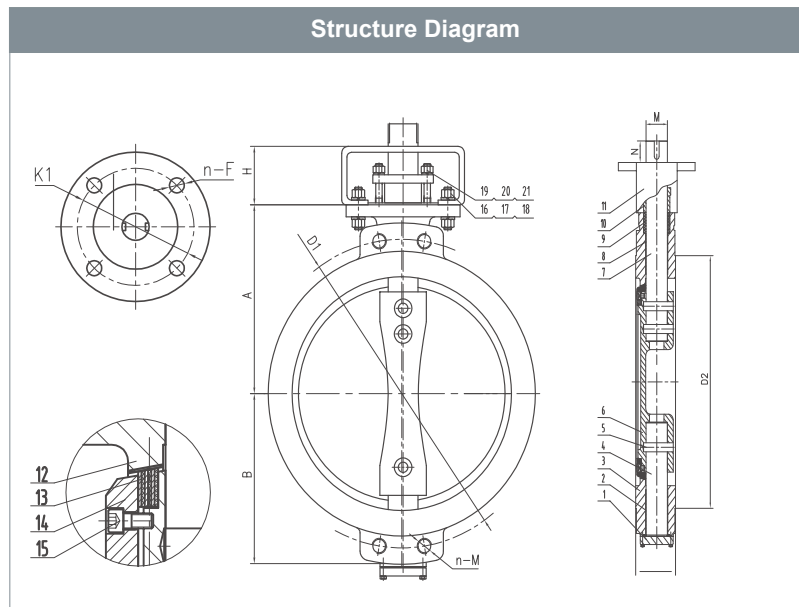
Triple Eccentric Butterfly Valves Metal Seal, Wafer

1500PSI / Class600
 Design to ASME B16.34/API609
 Dimensions to ASME B16.5/B16.1/EN1092
 Pressure Test to API598/ISO5208
 Temperature Range: -50°C~650°C/-58°F~1200°F



HP5103-0

| Materials List | | |
|----------------|--------------------------|---------------------------------------|
| 1 | Lower End Cap | ASTM A105 |
| 2 | Lower Shaft Sleeve | ASTM A276 304 |
| 3 | Body | ASTM A216 WCB ASTM A351 CF8/CF8M |
| 4 | Lower Stem | ASTM A276 431 ASTM A564 630-17-4PH |
| 5 | Cylindrical Pin | ASTM A182 F304 |
| 6 | Disc | ASTM A216 WCB ASTM A351 CF8/CF8M |
| 7 | Upper Stem | ASTM A276 431 ASTM A564 630-17-4PH |
| 8 | Upper Shaft Sleeve | ASTM A276 304 |
| 9 | Packing | Graphite |
| 10 | Packing Gland | ASTM A216 WCB |
| 11 | Support | Carbon Steel |
| 12 | Seat | SS316, Stellite, Inconel |
| 13 | Seal Ring | SS316 + Graphite |
| 14 | Press Plate | ASTM A105 ASTM A182 F316 |
| 15 | Hexagon Socket Head Bolt | ASTM A193 B7 |
| 16 | Support Bolt | ASTM A193 B7 |
| 17 | Spring Washer | ASTM A29 1566 |
| 18 | Nut | ASTM A194 2H |
| 19 | Gland Bolt | ASTM A193 B7 |
| 20 | Spring Washer | ASTM A29 1566 |
| 21 | Nut | ASTM A194 2H |



* For other materials and special requirements, consult factory or local offices.

| Dimensions(600LB) | | | | | | | | | | | |
|-------------------|-----|-------|-------|-----|-----|-----|----|-----|-----|------|-------|
| In | L | D1 | D2 | H | A | B | M | N | K1 | n-F | n-M |
| 6 | 78 | 292.1 | 215.9 | 90 | 250 | 200 | 32 | 50 | 125 | 4-14 | 4-M30 |
| 8 | 102 | 349.2 | 269.9 | 120 | 270 | 220 | 42 | 55 | 140 | 4-18 | 4-M33 |
| 10 | 117 | 431.8 | 323.8 | 120 | 320 | 270 | 52 | 60 | 165 | 4-22 | 4-M33 |
| 12 | 140 | 489 | 381 | 120 | 350 | 290 | 58 | 70 | 165 | 4-22 | 4-M33 |
| 14 | 155 | 527 | 412.8 | 150 | 440 | 340 | 68 | 80 | 200 | 8-18 | 4-M36 |
| 16 | 178 | 603.2 | 469.9 | 150 | 480 | 380 | 68 | 80 | 200 | 8-18 | 4-M39 |
| 18 | 200 | 654 | 533.4 | 150 | 530 | 440 | 76 | 90 | 254 | 8-18 | 4-M42 |
| 20 | 216 | 723.9 | 584.2 | 170 | 560 | 460 | 82 | 100 | 298 | 8-22 | 4-M42 |
| 24 | 232 | 838.2 | 692.2 | 200 | 600 | 500 | 96 | 120 | 356 | 8-33 | 4-M42 |

* For EN and other standards dimensions, consult factory.