

Iron Air Vent PN16/235PSI

Large Venting Volume, Stainless Steel Float
Dimension to EN1092-2, ANSI B16.1 Class125
Threaded Ends Comply to BS21 or ANSI 2.1

Maximum Pressure Range	
1/2" -1"	7-12Bar
2" -4"	10Bar

Maximum Temperature Range	
1/2" -1"	120 °C/220 °C
2" -4"	-10°C-80°C



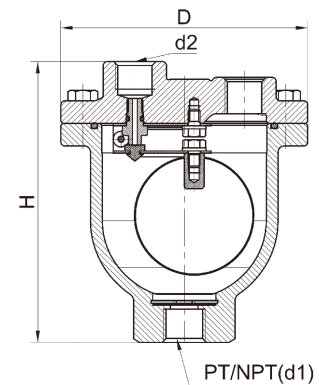
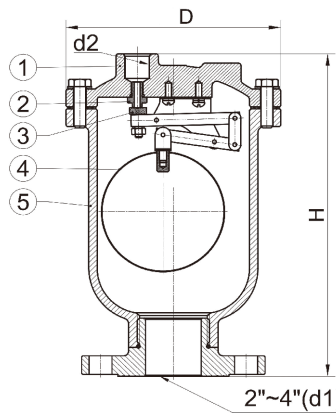
VT-690
1/2" - 1"

Materials List

No	Part	Specification	BS EN	ASTM
1	Bonnet	Cast Iron	BSEN 1561	A126 Class B
2	Seat	Stainless Steel	BS970 304S15	AISI 304
3	Vent Plug	Rubber	EPDM/ VITON	EPDM/ VITON
4	Float	Stainless Steel	BS970 304S15	AISI 304
5	Body	Cast Iron	BSEN 1561	A126 Class B



VT-660
2" - 4"



Dimensions-Weights

mm	15	20	25	50	65	80	100	
In	1/2	3/4	1	2	2 1/2	3	4	
H	143	143	155.5	275	275	306	306	
D	125	125	150	178	178	250	250	
d1	1/2" PT/NPT	3/4" PT/NPT	1" PT/NPT	2" Flg	2 1/2" Flg	3" Flg	4" Flg	
d2	3/8" or 1/2" BSPT/NPT							
Weight	Lbs	6.62	6.62	10.58	22	31	46	53
	Kg	3	3	4.8	10	14	21	24

Installation tip!

Vent valves should be vertically installed on the top of piping devices.