

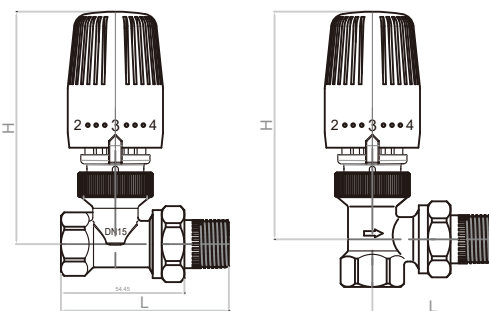
M22 Radiator Temperature-Control Valves

M22 temperature-control valves are energy-saving products that help to build a comfortable living environment. They are installed at the inlet ends of the radiators which control the inflow of the radiators according to the temperature signal received. The room temperature can then be adjusted as wished. The exquisite design of the valves complies with EN215 and the valves can be applied to various radiators.



Product Features

- Adjustment range can be locked or set at any time.
- Automatic control by the temperature sensor according to ambient temperature.
- Straight-through and right-angle body structures are available.
- The temperature-control valve's head and body are easily connected and can be replaced at any time.
- Externally threaded connector with a loose joint.
- The shell of the temperature-control valve's head is made of enhanced nylon + ABS plastic.
- Brass body, stainless steel shaft, and EPDM seat.
- Comply with EN215.



Technical Parameters

Working Pressure: 1.6 Mpa

Medium: Water

Ambient Temperature: -20°C ~ 50°C

Adjustment Range: 7°C ~ 28°C

Body Temperature: 5°C ~ 100°C

0 ° ° * ° ° 1 ° ° 2 ° ° 3 ° ° 4 ° ° 5
2°C 7°C 14°C 16°C 20°C 24°C 28°C

kvs Values

Regular Two-Pipe System

1/2" 1.0

3/4" 2.2

1" 2.8

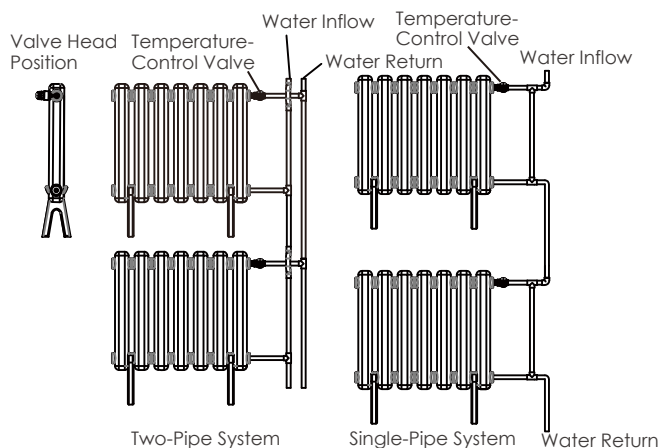
Low-Resistance Single-Pipe System

1/2" 2.6

3/4" 3.8

1" 4.6

Installation and Application



Dimensions

Type/Dimension	In	H(mm)	L(mm)
Straight-Through	1/2"	102	79
	3/4"	105	94
	1"	107	94
Right-Angle	1/2"	100	54
	3/4"	102	62
	1"		