

Pressure Independent Control Valves

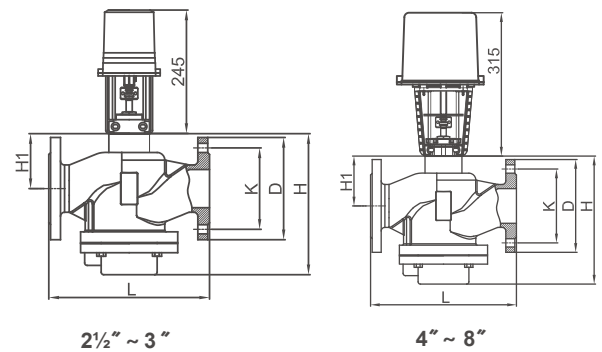
F535E allows maximum flow presetting, pressure-independent balancing and electric control. The valve is pressure-independent with the built-in piping for easier installation and maintenance. Flow control is only related to the opening of the electric actuator, regardless of system pressure differential fluctuation. F535E valve authority is 100%. The actual and ideal flow characteristic curves is consistent. This helps precise and fast control, reduces operating frequency of the actuator. It gives the pump its optimal flow option, the system is now able to run under minimum flow with the lowest pressure differential, achieving stable, efficient and energy saving effect.



F535E

Product Features

- Pressure-independent product.
- 100% valve authority, minimizing energy consumption.
- Achieving equal percentage and linear characteristic curve.
- Flow presetting, pressure-independent balancing and electric control: three in one function.
- Pressure-independent balancing and electric control: two in one function.
- Maximum flow setting as wished, more accurate control.
- No need to change the fixed stroke of the valve disc while setting the flow manually.
- Lockable flow setting.
- Flow control is related to the opening of the actuator, regardless of pressure differential fluctuation.
- Allowing multiple power supply input signal options.
- Plug-in flow measuring point, allowing quick connection.



Technical Parameters

Supply Voltage: 24 VAC, 230 VAC, 0~10 V, 4~20 mA

Stroke: 18 mm~25 mm

Power: 6VA-18VA

Pressure Differential Range: 30Kpa~400 Kpa

Working Pressure: 1.6 Mpa/2.5 Mpa

Medium: Water or ethylene glycol mixture

Medium Temperature: -10°C~110°C (-38°F~230°F)

Dimensions: 2½" ~ 8"

Ingress Protection: IP54

Thread Standard: ANSI or BSEN flange

Material Specifications

Body: Ductile iron

Stem: Stainless steel

Diaphragm: EPDM

Seat: Brass or stainless steel

Spring: Stainless steel

Seal: EPDM

Shell: ABS plastic

Measuring Port: Brass

Flow Parameters

Model	In	Stroke mm	Flow Range m³/h	Pressure Differential Range Kpa
F535E	2½"	18	4.0-24	30-400
F535E	3"	18	6.4-34	30-400
F535E	4"	20	8.4-48	30-400
F535E	5"	25	19-75	30-400
F535E	6"	25	30-120	30-400
F535E	8"	25	45-175	30-400

Dimensions

Model	L mm	H mm	H1 mm	D mm	K mm	Weight Kg
F535E	290	248	90	185	145	25
F535E	310	252	101	200	160	32
F535E	350	296	111	235	190	43
F535E	400	339	127	270	220	65
F535E	480	370	141	300	250	83
F535E	495	448	145	360	310	115