

Pressure Independent Control Valves

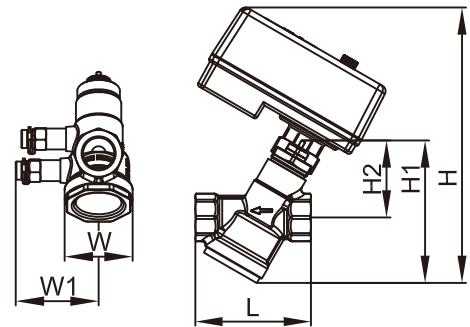
TB300 allows presetting at the maximum flow, pressure-independent balancing and electric control. Flow control is only related to the opening of the electric actuator, regardless of system pressure differential fluctuation. TB300 valve authority reaches 100%. The actual and ideal flow characteristic curves keep consistent provides precise and fast control, reduces actuator operating frequency, bringing stable energy saving effect.



TB300

Product Features

- Pressure-independent product.
- 100% valve authority, minimizing energy consumption.
- Realizing equal percentage and linear characteristic curve.
- Flow presetting, pressure-independent balancing and electric control: three in one function.
- Free maximum flow setting, for more accurate control.
- No need to change the fixed stroke of the valve disc while setting flow manually.
- Flow control is related to the opening of the actuator, regardless of pressure differential fluctuation.
- Allowing multiple power supply input signal options.
- Plug-in flow measuring point, allowing quick connection.



Technical Parameters

Supply Voltage: 24 VAC, 230 VAC, 0~10 V, 4~20 mA

Stroke: 2.5 mm~6 mm

Power: < 4 VA

Pressure Differential Range: 25 Kpa~400 Kpa

Working Pressure: 2.5 Mpa

Medium: Water

Medium Temperature: -10°C~110°C (-38°F~230°F)

Dimensions: 1/2" ~ 1 1/4"

Ingress Protection: IP43

Thread Standard: BSPT or NPT

Material Specifications

Body: Forged brass

Stem: Stainless steel

Diaphragm: EPDM

Seat: Brass or stainless steel

Spring: Stainless steel

Seal: EPDM

Shell: ABS plastic

Measuring Port: Brass

Flow Parameters

Model	In	Stroke mm	Flow Range m ³ /h	Pressure Differential Range Kpa
TB300	1/2"	2.5	0.15-0.6	25-400
TB300	3/4"	2.5	0.25-1.1	30-400
TB300	1"	5	0.3-1.5	30-400
TB300	1 1/4"	6	0.6-3.1	30-400

Dimensions

Model	L mm	H mm	H1 mm	H2 mm	W mm	W1 mm	Weight Kg
TB300	75	199	101	52	45	57	0.65
TB300	85	203	105	57	48	59	0.75
TB300	90	212	114	62	48	59	0.90
TB300	115	236	138	75	59	65	1.20