

# Pressure Independent Control Valves

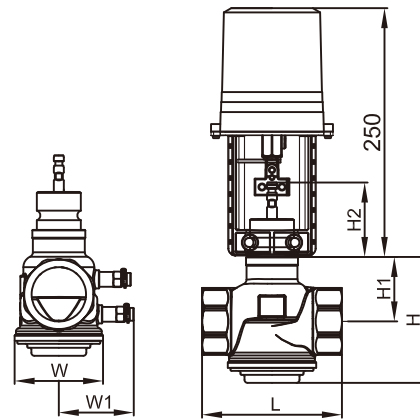
**TS500** allows presetting at the maximum flow, pressure-independent balancing and electric control. Flow control is only related to the opening of the electric actuator, regardless of system pressure differential fluctuation. TS500 valve authority reaches 100%. The actual and ideal flow characteristic curves keep consistent provides precise and fast control, reduces actuator operating frequency, bringing stable energy saving effect.

## Product Features

- Pressure-independent product.
- 100% valve authority, minimizing energy consumption.
- Realizing equal percentage and linear characteristic curve.
- Flow presetting, pressure-independent balancing and electric control: three in one function.
- Pressure-independent balancing and electric control: two in one function.
- Maximum flow setting as desired, more accurate control.
- No need to change the fixed stroke of the valve disc while setting the flow manually.
- Lockable flow setting.
- Flow control is related to the opening of the actuator, regardless of pressure differential fluctuation.
- Allowing multiple power supply input signal options.
- Plug-in flow measuring point, allowing quick connection.



**TS500**



## Technical Parameters

**Supply Voltage:** 24 VAC, 230 VAC, 0~10 V, 4~20 mA

**Stroke:** 10 mm~15 mm

**Power:** < 5.5 VA

**Pressure Differential Range:** 30Kpa~400 Kpa

**Working Pressure:** 2.5 Mpa

**Medium:** Water

**Medium Temperature:** -10°C~110°C (-38°F~230°F)

**Dimensions:** 1½" ~ 2"

**Ingress Protection:** IP54

**Thread Standard:** BSPT or NPT

## Material Specifications

**Body:** Stainless steel

**Stem:** Stainless steel

**Diaphragm:** EPDM

**Seat:** Stainless steel

**Spring:** Stainless steel

**Seal:** EPDM

**Shell:** ABS plastic

**Measuring Port:** Brass

## Flow Parameters

Model	In	Stroke mm	Flow Range m <sup>3</sup> /h	Pressure Differential Range Kpa
TS500	1 1/2"	10	1.5-7.5	30-400
TS500	2"	15	2.0-10	30-400

## Dimensions

Model	L mm	H mm	H1 mm	H2 mm	W mm	W1 mm	Weight Kg
TS500	140	121	60	75	89	121	2.7
TS500	140	126	65	75	89	121	3.0