

### Stainless Steel Vent Valves PN16/235PSI

Large Venting Volume, Stainless Steel Float  
Threaded Ends Comply to BS21 or ANSI 2.1

Maximum Pressure Range	
1/2" - 1"	7-12Bar

Maximum Temperature Range	
120°C/220°C	

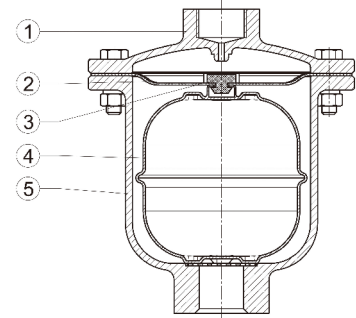
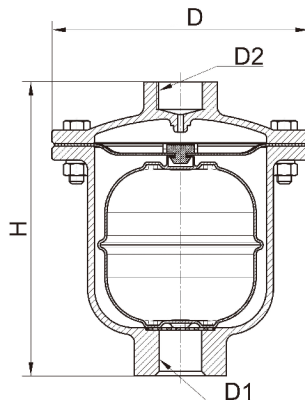


**VT-360**  
1/2" - 1"

#### Materials List

No	Part	Specification	BS EN	ASTM
1	Bonnet	Stainless Steel	BS970 316S16	A351 CF8M
2	Gasket	Stainless Steel	BS970 304S15	AISI 304
3	Vent Plug	Rubber	EPDM/ VITON	EPDM/ VITON
4	Float	Stainless Steel	BS970 304S15	AISI 304
5	Body	Stainless Steel	BS970 316S16	A351 CF8M

\* Applicable to cold/hot water supply system pipelines.



#### Dimensions-Weights

mm		15	20	25
In		1/2	3/4	1
H		126	126	126
D		112	112	112
D1		1/2" PT/NPT	3/4" PT/NPT	1" PT/NPT
D2		3/8" or 1/2" BSPT/NPT		
Weight	Lbs	3.09	3.09	3.09
	Kg	1.4	1.4	1.4

#### Installation tip!

Vent valves should be vertically installed on the top of piping devices.