

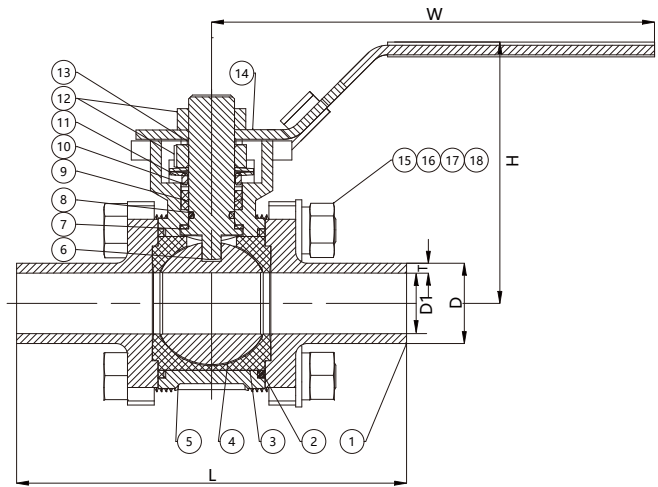
Ball Valves PN16/232PSI

Three-Piece, Welded
Sealing Material Comply to FDA177.1210/2600
Dimensions to ISO2037, DIN11850
Temperature Range: -20°C~120°C/-4°F~248°F



BL7126-W

Materials		
No.	Part	Specification
1	Bonnet	ANSI 304/316L
2	Spacer Ring	PTFE
3	Seat	PTFE
4	Ball	ANSI 304/316L
5	Body	ANSI 304/316L
6	Stem	ANSI 304/316
7	Stem Washer	PTFE
8	O-Ring	EPDM
9	Packing	PTFE
10	Packing Bushing	ANSI 304
11	Spring	ANSI 304
12	Hexagonal Nut	ANSI 304
13	Handle Gasket	ANSI 304
14	Handle	ANSI 304
15	Hexagon Bolt	ANSI 304
16	Gasket	ANSI 304
17	Elastic Gasket	ANSI 304
18	Hexagonal Nut	ANSI 304



- * The valve body material can be selected as 304 or 316.
- Clean system seat seals are available in half or full wrap.
- ISO 5211 mounting pad is a non-standard configuration and must be confirmed when ordering.

Dimensions (ISO/DIN)								
Size/In	L ISO/DIN	W ISO/DIN	D ISO/DIN	D1 ISO/DIN	H ISO/DIN	T	ISO5211	Torque N.m
½	90/102	131	12.7/19	10/16	62/69	1.5	F03/F04	8
¾	102	131	19.1/23	16/20	69/69	1.5	F03/F04	8
1	115	170	25.4/28	22/25	91/93	1.5	F04/F05	18
1¼	125	170	31.8/35	28/32	97	1.5	F04/F05	18
1½	138	180	38.1/41	35/38	117	1.5	F05/F07	25
2	156	217	50.8/52	48/49	125	1.5	F05/F07	30
2½	170/180	250/325	63.5/70	60/66	141	2	F07/F10	40
3	197/220	325	76.2/85	73/81	156	2	F07/F10	50
4	242	325	101.6/104	98/100	173	2	F07/F10	80

◆Please consult the factory for 3A and other standard sizes such as ASME BPE, BS4825, etc.