

### Butterfly Valves PN10/145PSI, PN16/232PSI

Two-Piece, Clamp Connection, Handle  
Sealing Material Comply to FDA177.1210/2600  
Dimensions to ISO2852, DIN32676  
Temperature Range: -20°C~120°C/-4°F~248°F



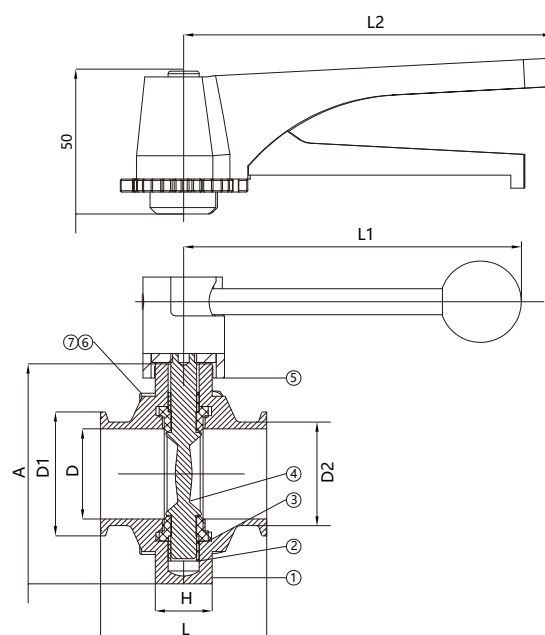
HB5126-C

Materials		
No.	Part	Specification
1	Body	ANSI 304/316L
2	Packing	PTFE
3	Seat	EPDM, NBR, PTFE, FPM
4	Disc	ANSI 304/316L
5	Handle/Lever	ANSI 304
6	Bolt	ANSI 304
7	Nut, Gasket	ANSI 304

\* The valve body material can be selected as 304 or 316.

\* The working pressure of model 5123 is 10 Bar;

The working pressure of model 5126 is 16 Bar.



Dimensions (ISO/DIN)									
Size/In	L ISO/DIN	L1 ISO/DIN	L2 ISO/DIN	D ISO/DIN	D1 ISO/DIN	D2	H	A	Torque N.m
½	66	140	160	9.7/16	34	12.7	20	68	5
¾	66	140	160	15.8/19	34	19.1	20	78	5
1	68/66	140	160	22.1/25	50.5	25.4	22	78	5
1¼	68/66	140	160	28.5/31	50.5	31.8	22	78	5
1½	70/66	140	160	34.8/37	50.5	38.1	22	85	8
2	76/72	140	160	47.5/49	64	51	22	100	8
2½	84/76	180/135	160	60.3/66	77.5	63.5	22	110	8
3	84/80	180/160	160	72.9/81	91	76.2	22	125	10
4	92/86	180/160	160	97.6/100	119/106	101.6	22	155	15
4	92/-	180/-	160/-	104/-	119/-	108	22	155	15
5	100	240/210	210/185	129/125	145	133	28	185	30
6	110	240/210	210	153/150	183/167	159	36	215	40
8	120	240/210	210	213.9/198	233.5/217.7	219	36	285	60

◆Please consult the factory for 3A and other standard sizes such as ASME BPE, BS4825, etc.