

Butterfly Valves PN10/145PSI, PN16/232PSI

Three-Piece, Clamp Connection, Handle
Sealing Material Comply to FDA177.1210/2600
Dimensions to ISO2852, DIN32676
Temperature Range: -20°C~120°C/-4°F~248°F

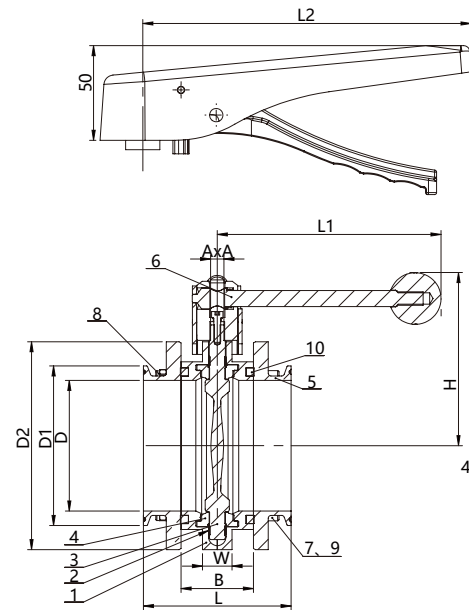


HB7126-C

Materials		
No.	Part	Specification
1	Body	ANSI 304/316L
2	Bushing	PTFE
3	Disc	ANSI 304/316L
4	Seat	EPDM, NBR, PTFE, FPM
5	Clamp Cover	ANSI 304/316L
6	Handle/Lever	ANSI 304
7	Bolt	ANSI 304
8	Nut	ANSI 304
9	Gasket	ANSI 304
10	U-shaped Washer	EPDM, FPM

* The valve body material can be selected as 304 or 316.

* The working pressure of model 7123 is 10 Bar;
The working pressure of model 7126 is 16 Bar.



Dimensions (ISO/DIN)										
Size/In	D ISO/DIN	D1 ISO/DIN	D2 ISO/DIN	L	L1	L2	H	AxA	W	B
¾	15.8/19	34	78	110	135	160	80	8x8	20	54
1	21.8/25	50.5	78	110	135	160	80	8x8	22	54
1¼	28.6/31	50.5	78	110	135	160	80	8x8	22	54
1½	34.8/37	50.5	85	110	135	160	85	8x8	22	54
2	47.8/49	64	100	110	135	160	95	8x8	22	54
2½	60.3/66	77.5/91	110	110	160	160	100	10x10	22	54
3	72.9/81	91/106	125/139	110	160	160	110	10x10	22	54
4	97.6/100	119	155	110	160	160	130	10x10	22	54
5	129/125	145/144.5	185	140	192	185	145	14x14	26	70
6	153/150	183	215	140	219	185	160	14x14	26	70
8	213.9/200	233.5	285	160	295	185	195	17x17	36	80

◆Please consult the factory for 3A and other standard sizes such as ASME BPE, BS4825, etc.