

### Silent Check Valves PN10/145PSI

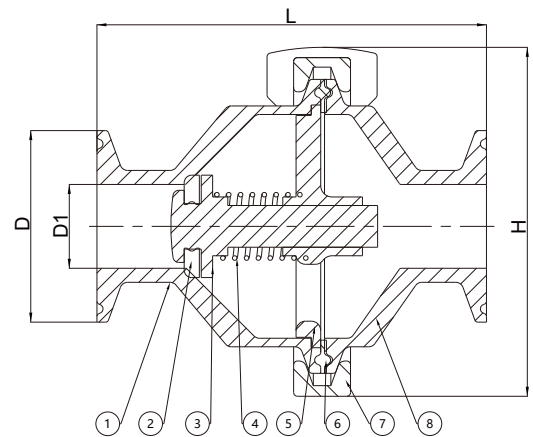
Clamp, Spring Return  
Dimensions to ISO2852, DIN32676  
Temperature Range: -20°C~100°C/-4°F~212°F



CV5203-C

Materials		
No.	Part	Specification
1	Body	ANSI 304/316L
2	Gasket	EPDM
3	Stem	ANSI 304/316L
4	Spring	ANSI 304/316L
5	Disc	ANSI 304/316L
6	Quick-Fitting Washer	EPDM
7	Clamp	ANSI 304
8	Bonnet	ANSI 304/316L

\* Centre-oriented design.



Dimensions (ISO/DIN)					
Size/In	L ISO/DIN	D ISO/DIN	D1 ISO/DIN	H ISO/DIN	最小开启压力 Bar
½	76	34	9.5/16	80	0.1
¾	76/102.9	34	15.8/19	80/92	0.1
1	102.9/102.7	50.5	21.8/25	92	0.2
1¼	102.7	50.5	28.6/31	92	0.2
1½	101	50.5	34.8/37	92	0.2
2	112.4	64	47.8/49	97	0.2
2½	125	77.5/91	60.3/66	108	0.3
3	125	91/106	72.9/81	113/125	0.4
4	132	119	97.6/100	131/132	0.7

◆Please consult the factory for 3A and other standard sizes such as ASME BPE, BS4825, etc.