

Y Strainers PN10/145PSI

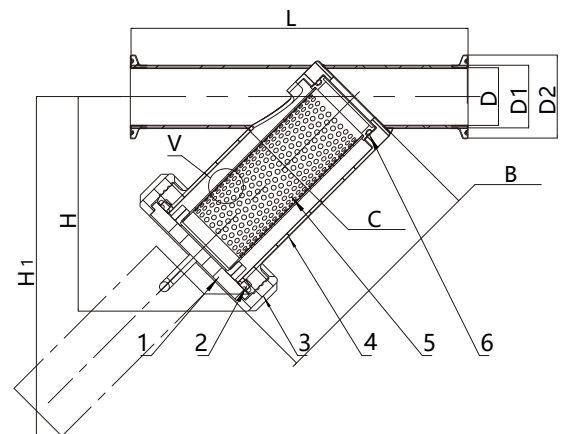
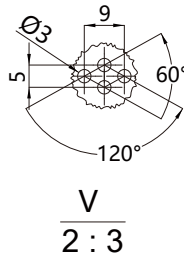
Clamp, Y-Body
Dimensions to ISO2852, DIN32676
Temperature Range: -20°C~100°C/-4°F~212°F



YS5203-C

Materials		
No.	Part	Specification
1	Bonnet	ANSI 304/316L
2	Sealing Gasket	EPDM
3	Cap Nut	ANSI 304
4	Body	ANSI 304/316L
5	Strainer	ANSI 304/316L
6	O-Ring	EPDM

- * Double layer strainers design.
- The strainer aperture is 3mm. The inner lining strainer can be 30 #, 50 #, 100 # or customized according to users' requirements.



Dimensions (ISO/DIN)								
Size/In	D ISO/DIN	D1 ISO/DIN	D2 ISO/DIN	L ISO/DIN	C ISO/DIN	B ISO/DIN	H ISO/DIN	H1 ISO/DIN
½	-/16	-/19	-/34	-/170	-/45	-/110	-/89	-/150
¾	15.8/19	19/22	34	170	45	110	89	150
1	21.8/25	25/28	50.5	170	45	112	92	153
1¼	28.6/31	31.8/34	50.5	175	51	112	96	156
1½	34.8/37	38/40	50.5	205	63	132	126	195
2	47.8/49	51/52	64	215	76	152	135	222
2½	60.3/66	63.5/70	77.5/91	275	102	187/207	168	278
3	72.9/81	76.1/85	91/106	310/340	102/114	207/237	184/205	312/354
4	97.6/100	101.6/104	119	390	133	273	244	418
5	-/125	-/129	-/145	-/410	-/168	-/282	-/258	-/440

◆Please consult the factory for 3A and other standard sizes such as ASME BPE, BS4825, etc.