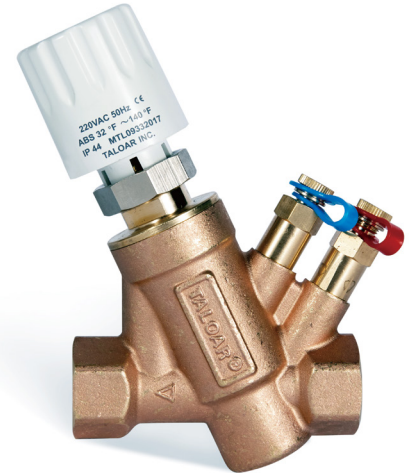


Two-Way Pressure-Independent Balance Valves

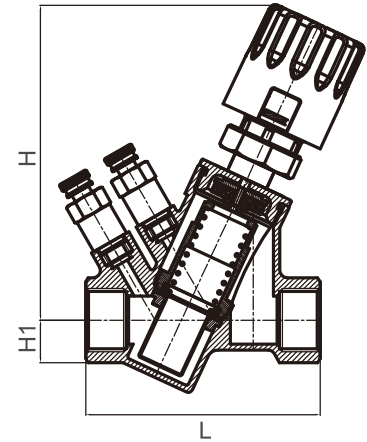
ER170 two-way pressure-independent balance valve integrates electric on/off control and pressure-independent balancing. The valve is mainly used for on/off control of cold and hot water in fan coils at the end of the HVAC system and for pressure-independent balancing. In case of pressure fluctuation within the system, it works to keep flow unchanged while the valve is power on, especially in the variable flow system with excessively fluctuating load. It features strong immunity against interference, brings optimal temperature with the best indoor comfort effect.



ER170

Product Features

- Forged brass shell.
- Auto constant flow, field commissioning not required.
- Accurately designed orifice, flow error within $\pm 5\%$.
- Stainless steel spring, longer service life.
- Replaceable cartridge, easy to disassemble.
- Compression fitting between the actuator and valve body for easy connection.
- Thread standard: BSPT and NPT.
- Plug-in flow measuring point, allowing quick connection.



Technical Parameters

Supply Voltage: 230 VAC, 24 VAC $\pm 10\%$ 50 Hz

Power: < 3VA

Stroke: 3 mm

Working Pressure: 2.5 Mpa

Medium: Water

Medium Temperature: 5°C~90°C (40°F~194°F)

Ambient Temperature: 0°C~60°C (32°F~140°F)

Action Time: 3 min

On/off Display: Displayed

Ingress Protection: IP40

Material Specifications

Body: Brass

Cartridge: Stainless steel

Spring: Stainless steel

Seal: EPDM

Shell: ABS plastic

Measuring Port: Brass

Flow Parameters

Model	In	Structure	Flow Range m ³ /h	Pressure Differential Range Kpa
ER170	1/2"	Two-way	0.45-1.76	25-250
ER170	3/4"	Two-way	0.45-1.76	25-250
ER170	1"	Two-way	0.45-1.76	25-250

Dimensions

Model	L	H	H1	Weight Kg
ER170	96	132	16	0.67
ER170	98	132	18	0.71
ER170	108	132	22	0.77